

BOWL CUTTER

ITEM: 46215 46216
 MODEL: FP-ES-0015 FP-ES-0030-N

High-volume food processor that can chop, slice, shred & mix various ingredients

Ideal for commercial kitchens, catering businesses & other food service establishments.



FEATURES

- 7" digital touch screen displaying knife speed, temperature and time
- Variable speed control and 4 speed preselection buttons
- Programmable automatic stop triggered by elapsed time or temperature limit
- Emergency stop button
- Motor with electronic drive and overload protection
- Removable 3-knife head, optionally with 6 knives
- All stainless steel construction, solid SS bowl and lid
- Adjustable, on-slip and vibration absorbing machine feet
- Transparent noise protection cover
- Removable friction lid/bowl band for easy cleaning, with self-adjusting springs

Telephone: 1-800-465-0234

Fax: (905) 607-0234

Email: sales@omcan.com

Website: www.omcan.com

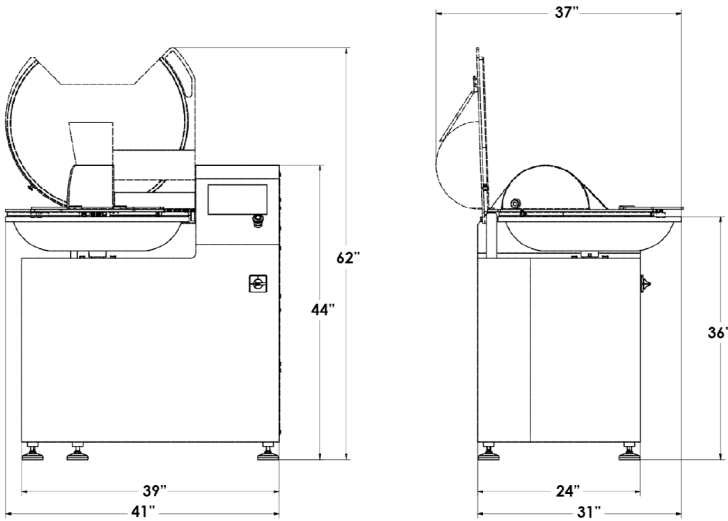


Authorized Dealer

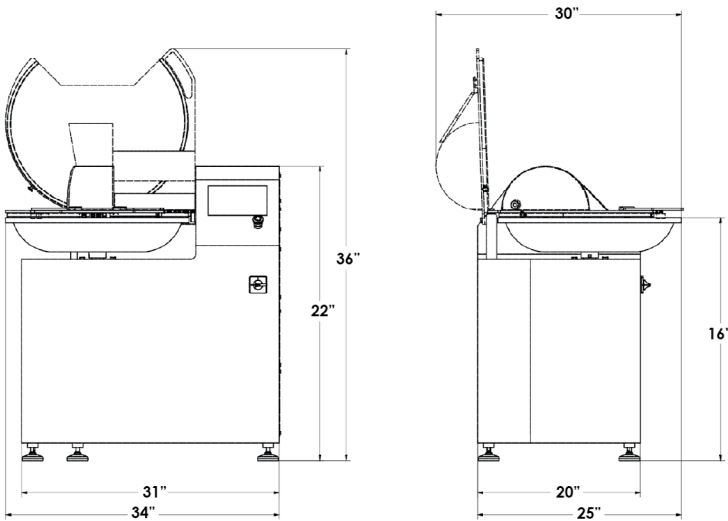


TECHNICAL DRAWING & DIMENSIONS

#46216



#46215



TECHNICAL SPECIFICATIONS

Item Number	46216	46215
Model	FP-ES-0030	FP-ES-0015
Bowl Volume	30 L / 8 Gal	15 L / 4 Gal
Bowl Capacity	Soft Meat: 11 - 48 lb. / 5 - 22 kg Tough Meat: 11 - 33 lb. / 5 - 15 kg	Soft Meat: 9 - 26 lb. / 4 - 12 kg Tough Meat: 9 - 18 lb. / 4 - 8 kg
Knife Speed	750 - 3000 RPM	
Linear Knife Speed	14 - 45 m/s	
Power	7.5 HP / 5.6 kW	3 HP / 2.3 kW
Amp	13.2 A	12.5 A
Electrical	208V / 60Hz / 3Ph	220V / 60Hz / 1Ph
Dimensions (DWH) Open Lid	37" x 41" x 62" 930 x 1040 x 1560 mm	30" x 34" x 36" 750 x 870 x 920 mm
Net Weight	728 lb. / 330 kg	364 lb. / 165 kg
Plug Type	<p>NEMA L15 - 30P 250VAC / 30 AMP</p>	<p>NEMA 6 - 15P 250VAC / 15 AMP</p>



Removable friction lid/bowl band



Transparent noise protection cover



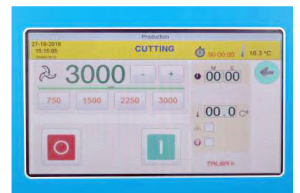
Removable knife head with 3 knives (standard)



Optional 6-knife head



Emergency stop button



7" digital touch screen

